



USER MANUAL – EN

IN 27642 Table for table tennis inSPORTline Gosimo

WARNING!

Make sure that at least two adults handle the table at all times to avoid accident or injury.

CLASSIFICATION ACCORDING TO STANDARD EN 14468-1

Class	D – for recreational use
Type	3 – Folding table with two separate boards, each of which has its own folding chassis attached. (table on wheels with separate folding halves).

ASSEMBLY

Open the box and position the two play surfaces face down on the cardboard. Carefully unfold the legs and make sure that they are securely attached to the table. Finally flip the table on its legs.

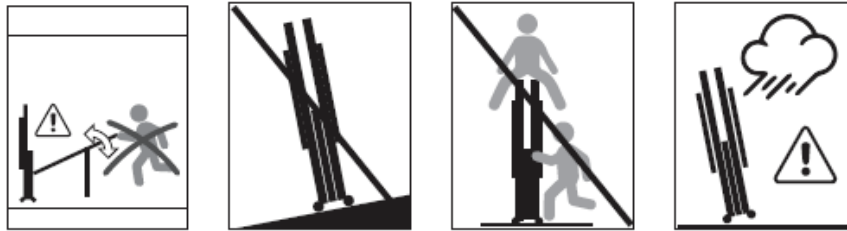
RECOMMENDATION OF USE AND PRECAUTIONS



Anyone using or handling this table tennis table must always follow the illustrated and the operation instructions.

1. Handling the table (assembly, opening, closing or storing) should always be done by two adults to prevent accident or injury.
2. Bolts and nuts of moving parts cannot be tightened too much, check that all moving parts are working as intended.
3. Be sure that no persons or objects are in the way of the boards when opening the table.
4. Do not put heavy objects on the table.
5. Do not sit on the table.
6. Do not clean the table with solvents or any other aggressive product because it could damage the paint finish.
7. Do not use sharp objects on the board or painter surface.
8. If the table is used for purposes other than playing table tennis, cover the surface to prevent any damage.
9. The functioning and storage of this product should always be supervised by an adult.
10. Do not store or handle the table on an unstable floor surface.
11. If safety device malfunction occurs, secure tabletops until the problem is solved.
12. If the table gets damaged, contact the retailer for original spare parts immediately.
13. To extend the life of this product (outdoor table or indoor table), protect it from moisture or severe climate changes.
14. Should you want to dispose of the table, seek out specialized waste disposal site in accordance with local legislation and regulations.
15. For indoor use.

SAFETY

- Don't tighten moving parts too firmly. Check if they fit well. Regularly check their functionality.
- **WARNING!** All damaged or worn parts should be replaced immediately. Use only original spare parts.
- Never let children unattended near this product.
- Never put it on an uneven surface.
- Never let the table in folded state in windy weather.



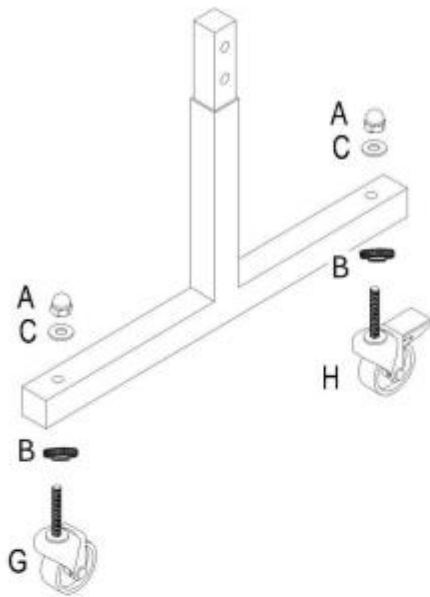
WARNING		IMPORTANT	
	DO NOT LET CHILDREN PLAY ON OR NEAR THE TABLE WHEN THE TABLE IS IN THE VERTICAL STORAGE POSITION.		BE VERY CAREFUL WHEN MOVING THE TABLE ON A SLOPED SURFACE.

WARNING

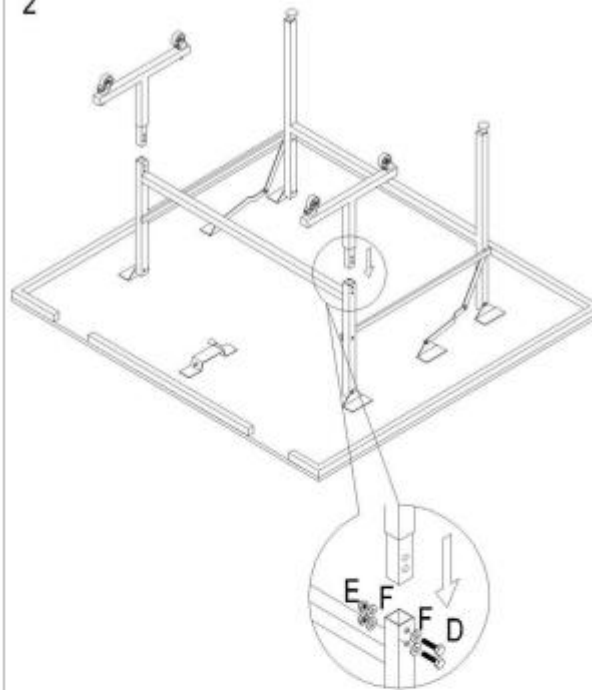
Do not let children fold or unfold this table by themselves. Folding and unfolding of the table should be done by an adult only. Please ensure that you take great care when unfolding the table. Never let the table drop to the ground unsupported. Hold the table securely at all times and lower to the ground slowly. Do not let go of the table until it has reached the ground safely and be aware of your surroundings.

ASSEMBLY

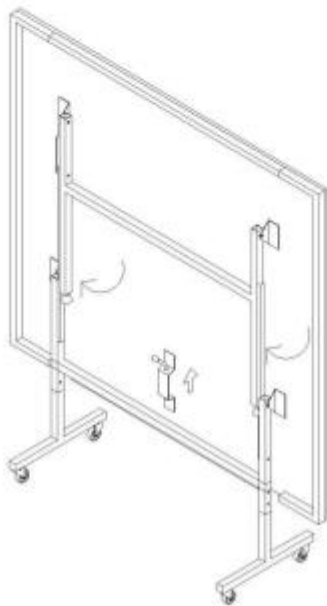
1



2



3



4



A



Nut 12
8x

B



Nut 12
8x

C



Washer
12
8x

D



Bolt 8*45
8x

E



Nut 8
8x

F



Washer 8
16x

G



Free
wheels
4x

H



Lockable
wheels
4x

CARE AND MAINTENANCE

CLEANING YOUR TABLE

Use a soft damp (not wet) cloth only. DO NOT USE ANY CHEMICALS OR ABRASIVE OR CLEANING PRODUCTS on the playing surface.

MAINTENANCE OF YOUR TABLE

All moving parts must be oiled including the pivot points. This will insure ease of use and safety of your table.

This table must be stored indoors to avoid damage to the surface. The dampness temperature changes can cause wood to warp, swell or blister.

ENVIRONMENT PROTECTION

After the product lifespan expired or if the possible repairing is uneconomic, dispose it according to the local laws and environmentally friendly in the nearest scrapyards.

By proper disposal you will protect the environment and natural sources. Moreover, you can help protect human health. If you are not sure in correct disposing, ask local authorities to avoid law violation or sanctions.

Don't put the batteries among house waste but hand them in to the recycling place.

TERMS AND CONDITIONS OF WARRANTY, WARRANTY CLAIMS

General Conditions of Warranty and Definition of Terms

All Warranty Conditions stated here under determine Warranty Coverage and Warranty Claim Procedure. Conditions of Warranty and Warranty Claims are governed by Act No. 89/2012 Coll. Civil Code, and Act No. 634/1992 Coll., Consumer Protection, as amended, also in cases that are not specified by these Warranty rules.

The seller is SEVEN SPORT s.r.o. with its registered office in Strakonická street 1151/2c, Prague 150 00, Company Registration Number: 26847264, registered in the Trade Register at Regional Court in Prague, Section C, Insert No. 116888.

According to valid legal regulations it depends whether the Buyer is the End Customer or not.

"The Buyer who is the End Customer" or simply the "End Customer" is the legal entity that does not conclude and execute the Contract in order to run or promote his own trade or business activities.

"The Buyer who is not the End Customer" is a Businessman that buys Goods or uses services for the purpose of using the Goods or services for his own business activities. The Buyer conforms to the General Purchase Agreement and business conditions.

These Conditions of Warranty and Warranty Claims are an integral part of every Purchase Agreement made between the Seller and the Buyer. All Warranty Conditions are valid and binding, unless otherwise specified in the Purchase Agreement, in the Amendment to this Contract or in another written agreement.

Warranty Conditions

Warranty Period

The Seller provides the Buyer a 24 months Warranty for Goods Quality, unless otherwise specified in the Certificate of Warranty, Invoice, Bill of Delivery or other documents related to the Goods. The legal warranty period provided to the Consumer is not affected.

By the Warranty for Goods Quality, the Seller guarantees that the delivered Goods shall be, for a certain period of time, suitable for regular or contracted use, and that the Goods shall maintain its regular or contracted features.

Batteries

6-month battery warranty – we guarantee that battery's nominal capacity does not fall below 70% of its total capacity within 6 months of the product's sale.

The Warranty does not cover defects resulting from (if applicable):

- User's fault, i.e. product damage caused by unqualified repair work, improper assembly, insufficient insertion of seat post into frame, insufficient tightening of pedals and cranks
- Improper maintenance
- Mechanical damages
- Regular use (e.g. wearing out of rubber and plastic parts, moving mechanisms, joints, wear of brake pads/blocks, chain, tires, cassette/multi wheel etc.)
- Unavoidable event, natural disaster
- Adjustments made by unqualified person
- Improper maintenance, improper placement, damages caused by low or high temperature, water, inappropriate pressure, shocks, intentional changes in design or construction etc.

Warranty Claim Procedure

The Buyer is obliged to check the Goods delivered by the Seller immediately after taking the responsibility for the Goods and its damages, i.e. immediately after its delivery. The Buyer must check the Goods so that he discovers all the defects that can be discovered by such check.

When making a Warranty Claim the Buyer is obliged, on request of the Seller, to prove the purchase and validity of the claim by the Invoice or Bill of Delivery that includes the product's serial number, or eventually by the documents without the serial number. If the Buyer does not prove the validity of the Warranty Claim by these documents, the Seller has the right to reject the Warranty Claim.

If the Buyer gives notice of a defect that is not covered by the Warranty (e.g. in the case that the Warranty Conditions were not fulfilled or in the case of reporting the defect by mistake etc.), the Seller is eligible to require a compensation for all the costs arising from the repair. The cost shall be calculated according to the valid price list of services and transport costs.

If the Seller finds out (by testing) that the product is not damaged, the Warranty Claim is not accepted. The Seller reserves the right to claim a compensation for costs arising from the false Warranty Claim.

In case the Buyer makes a claim about the Goods that is legally covered by the Warranty provided by the Seller, the Seller shall fix the reported defects by means of repair or by the exchange of the damaged part or product for a new one. Based on the agreement of the Buyer, the Seller has the right to exchange the defected Goods for a fully compatible Goods of the same or better technical characteristics. The Seller is entitled to choose the form of the Warranty Claim Procedures described in this paragraph.

The Seller shall settle the Warranty Claim within 30 days after the delivery of the defective Goods, unless a longer period has been agreed upon. The day when the repaired or exchanged Goods is handed over to the Buyer is considered to be the day of the Warranty Claim settlement. When the Seller is not able to settle the Warranty Claim within the agreed period due to the specific nature of the Goods defect, he and the Buyer shall make an agreement about an alternative solution. In case such agreement is not made, the Seller is obliged to provide the Buyer with a financial compensation in the form of a refund.

CZ
SEVEN SPORT s.r.o.

Registered Office: Strakonická 1151/2c, Praha 5, 150 00, ČR
Headquarters: Dělnická 957, Vítkov, 749 01
Warranty & Service: Čermenská 486, Vítkov 749 01

CRN: 26847264
VAT ID: CZ26847264
Phone: +420 556 300 970
E-mail: eshop@insportline.cz
reklamace@insportline.cz
servis@insportline.cz

Web: www.inSPORTline.cz

SK
inSPORTline s.r.o.

Headquarters, warranty & service center: Električná 6471,
Trenčín 911 01, SK

CRN: 36311723
VAT ID: SK2020177082
Phone: +421(0)326 526 701
E-mail: objednavky@insportline.sk
reklamacie@insportline.sk
servis@insportline.sk

Web: www.inSPORTline.sk

About shipping

