

SevenSport s.r.o. reserves the right to make any changes and improvements to its product without prior notice. Visit our website www.insportline.eu where you will find the latest version of the manual.

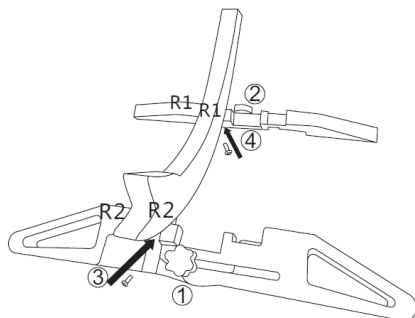
SAFETY INSTRUCTIONS

- Please read the manual before use and keep it for future reference.
- If sharp edges appear on the product, stop using it.
- Use the product only for the purposes for which it was manufactured.
- Do not repair or modify the product yourself.

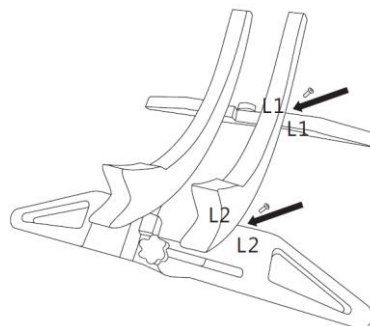
PARTS LIST

- Rack 2x
- Side panels 2x
- Allen key 1x
- Screws 4x (screws are pre-assembled in the rack)

ASSEMBLY



Loosen the hand knobs (1 and 2). Pull the rack apart so you can see the screw holes. Attach the sides as marked R1 to R1, R2 to R2.



Attach the other side L1 to L1 and L2 to L2.

ENVIRONMENT PROTECTION

After the product lifespan expired or if the possible repairing is uneconomic, dispose it according to the local laws and environmentally friendly in the nearest scrapyard.

By proper disposal you will protect the environment and natural sources. Moreover, you can help protect human health. If you are not sure in correct disposing, ask local authorities to avoid law violation or sanctions.

CZ SEVEN SPORT s.r.o.

Registered Office: Strakonická 1151/2c, Praha 5, 150 00, ČR
Headquarters: Dělnická 957, Vítkov, 749 01
Warranty & Service: Čermenská 486, Vítkov 749 01

CRN: 26847264
VAT ID: CZ26847264

Phone: +420 556 300 970
E-mail: eshop@insportline.cz
reklamace@insportline.cz
servis@insportline.cz

Web: www.inSPORTline.cz

SK Stores inSPORTline SK, s.r.o.

Headquarters, warranty & service center: Električná 6471,
Trenčín 911 01, SK

CRN: 46259317
VAT ID: SK2023299729

Phone: +421(0) 917 700 098
E-mail: objednavky@insportline.sk
reklamacie@insportline.sk
servis@insportline.sk

Web: www.inSPORTline.sk

About shipping

